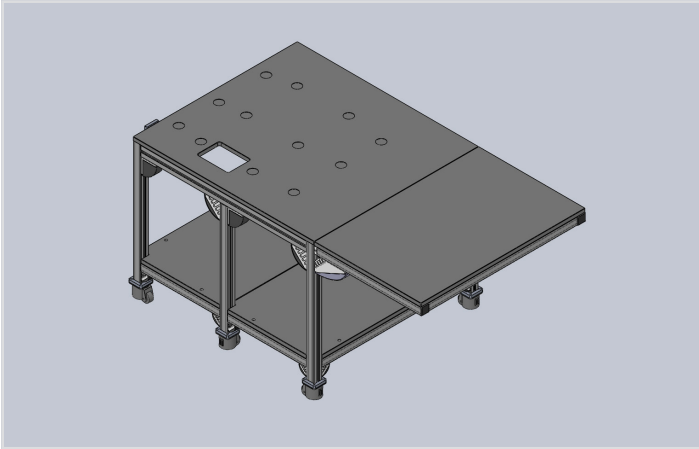


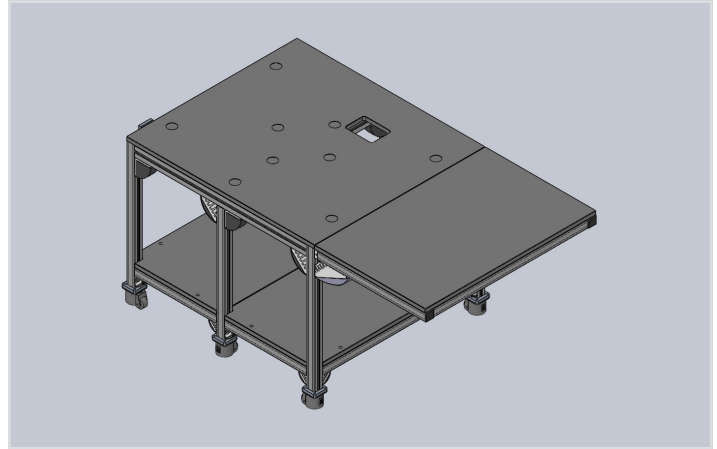
Automation Tables & Teach Blocks

Automation Tables

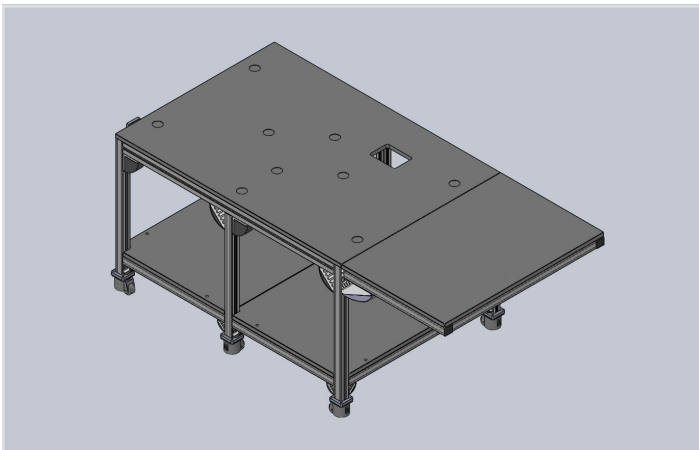
We offer custom automation tables for all sizes of the Lynx instruments. Custom refers to recessed foot locations in alignment with the feet of the instrument as well as waste chute slots through the top of the table. The images show a side table mount for the workstation. We also offer side-mounted arms to hold the workstation monitor, keyboard and mouse.



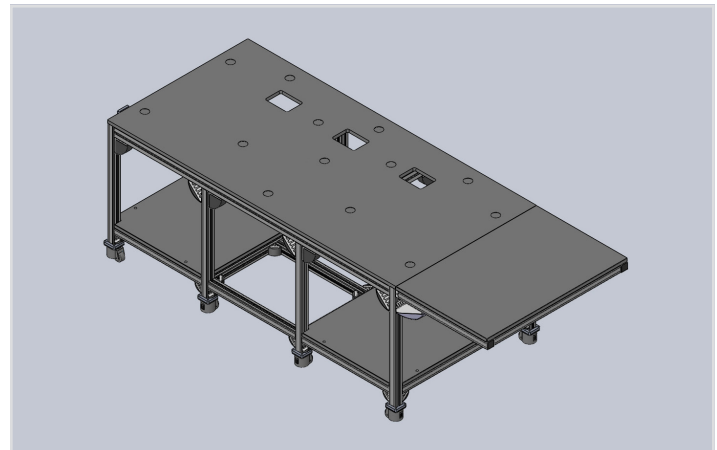
Part #	Automation Table
LX-730-T-01	Lynx 730i Table



Part #	Automation Table
LX-900-T-01	Lynx 900 Table



Part #	Automation Table
LX-1200-T-01	Lynx 1200 Table

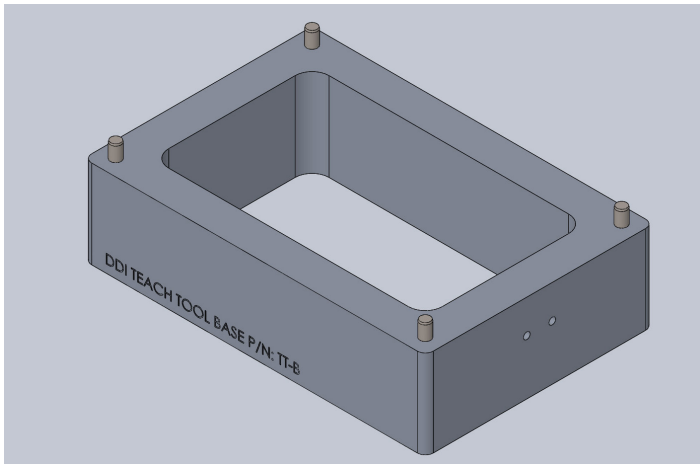


Part #	Automation Table
LX-1800-T-01	Lynx 1800 Table

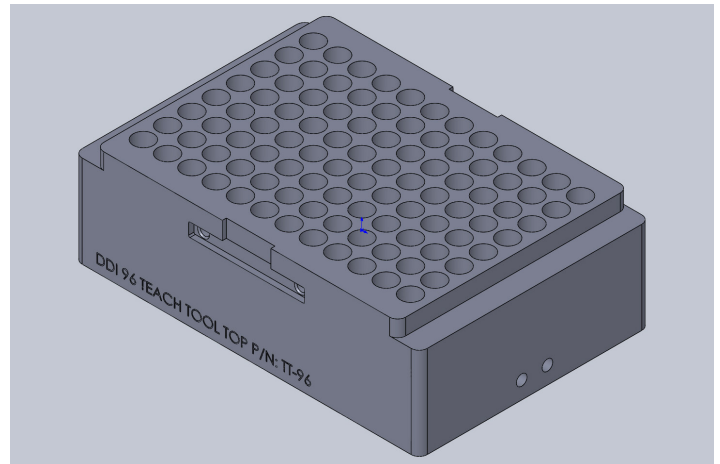
**All the table images include table extension*

Teach Blocks

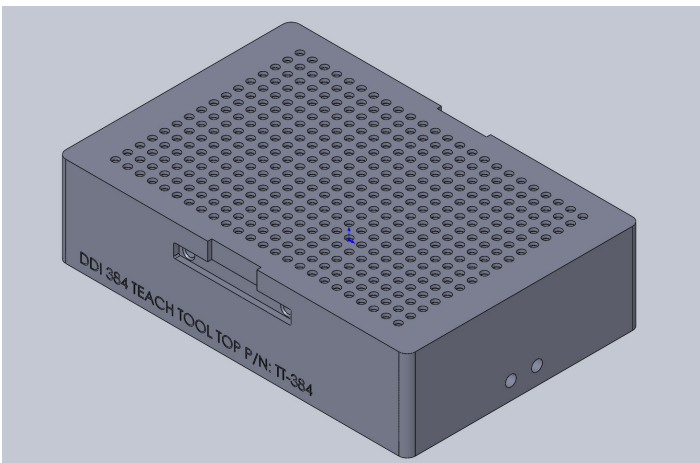
The teach blocks are developed to greatly simplify the process of editing deck locations or assigning locations to an entire deck. The base of the teach block is standard, with interchangeable tops for 96, 24, and 384 well pipette heads.



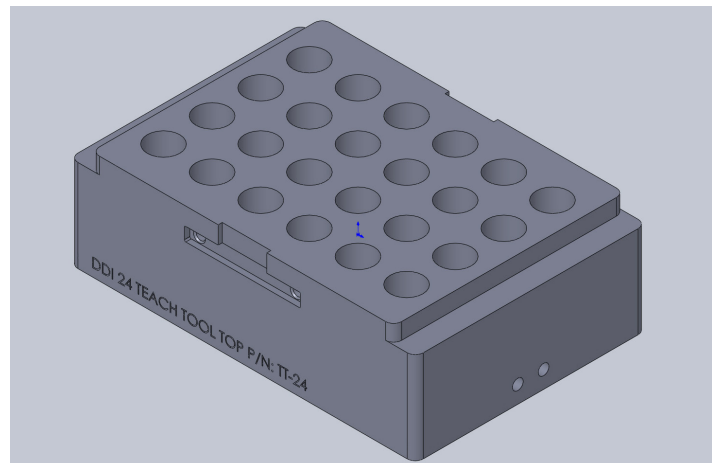
Part #	Interface Plate	Revision
1202D10013 TT-B	Lynx Teach Block Base	A



Part #	Interface Plate	Revision
1202D10015 TT-96	96 Tip LXB TP Top	A



Part #	Interface Plate	Revision
1202D10016 TT-384	384 TIP LXB TP Top	A



Part #	Interface Plate	Revision
1202D10028 TT-24	24 Tip TP Top	O

